

TECHNICAL SERVICE BULLETIN

TSB #:	TSB-VAR117	ENGINE:	ALL 6.0L PRODUCTS
DATE:	01/17/2017	ISSUED BY:	BWE SERVICE

BWE-

6.0 LITER VARIATIONS

BLACKWATER

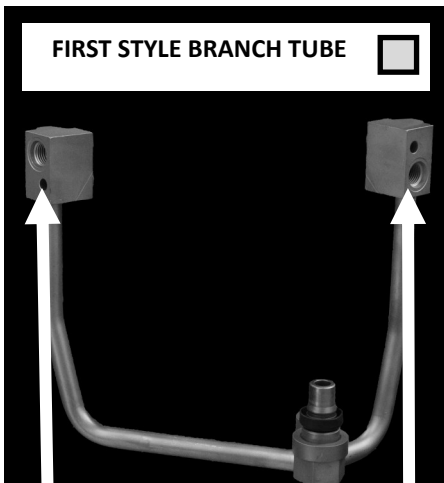
E N G I N E S

BUILD DATE:

PART #:

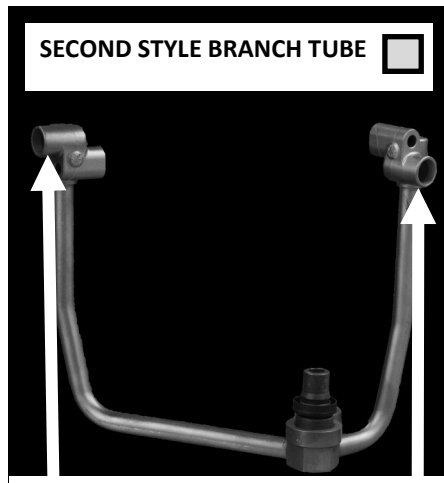
APPROVED BY:

DUE TO THE MANY VARIATIONS AND VIN NUMBER DISCREPANCIES WITH THE 6.0 LITER, IT IS THE INSTALLER'S RESPONSIBILITY TO MAKE SURE THE REMANUFACTURED LONG BLOCK IS CONFIGURED THE SAME AS THE LONG BLOCK YOU ARE REPLACING. OUR WARRANTY WILL NOT COVER THESE ISSUES ONCE THE ENGINE IS INSTALLED IN THE VEHICLE.



FIRST STYLE BRANCH TUBE

THREADED STAND PIPE CONNECTION
WITH QUICK CONNECT OIL PUMP
CONNECTION



SECOND STYLE BRANCH TUBE

PRESS IN O-RING CONNECTION WITH
QUICK CONNECT OIL PUMP
CONNECTION



THIRD STYLE BRANCH TUBE

PRESS IN O-RING CONNECTION WITH
NEW STYLE FUEL TUBE CONNECTION
FITTING

1ST STYLE INJECTOR
CLAMP



PART# 1838901C3,
1838901C4 & OTHERS
COMPATIBLE WITH
ROCKER BOXES #
1840550C1 (1ST)
1843351C2 (2ND)
1843351C3 (3RD)

2ND STYLE INJECTOR
CLAMP



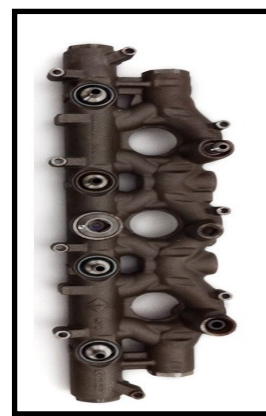
PART# 1856237C1 &
OTHERS
COMPATIBLE WITH
ROCKER BOX #
1858473C1 (4TH)

1ST STYLE OIL
MANIFOLD



THE FIRST STYLE OIL
MANIFOLD ONLY
BOLTS CORRECTLY
ONTO THE ROCKER
BOX PART #
1840550C1

2ND STYLE OIL
MANIFOLD



THE SECOND STYLE OIL
MANIFOLD BOLTS
ONTO THE ROCKER
BOX PART #
1843351C2,
1843351C3,
& 1858473C1