

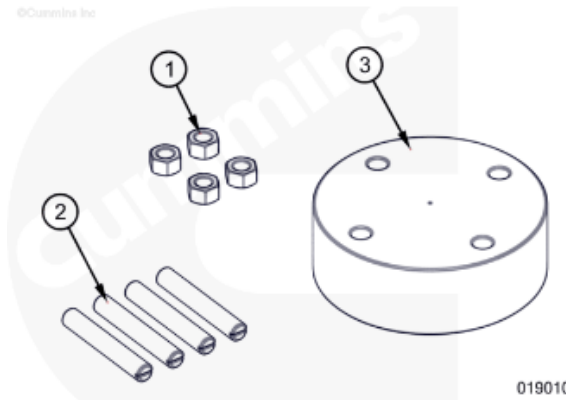
# TECHNICAL SERVICE BULLETIN

**BLACKWATER**  
**E N G I N E S**

TSB #:	67CRGT0519	ENGINE:	Cummins 6.7L Rear Geartrain
DATE:	6/13/2019	ISSUED BY:	BWE SERVICE

## Cummins 6.7L Rear Geartrain Rear Main Seal Installation Bulletin

Note : For 6.7L engines using a lip seal rear crankshaft seal, the use of rear crankshaft seal installation kit, part number 5395259, is required.

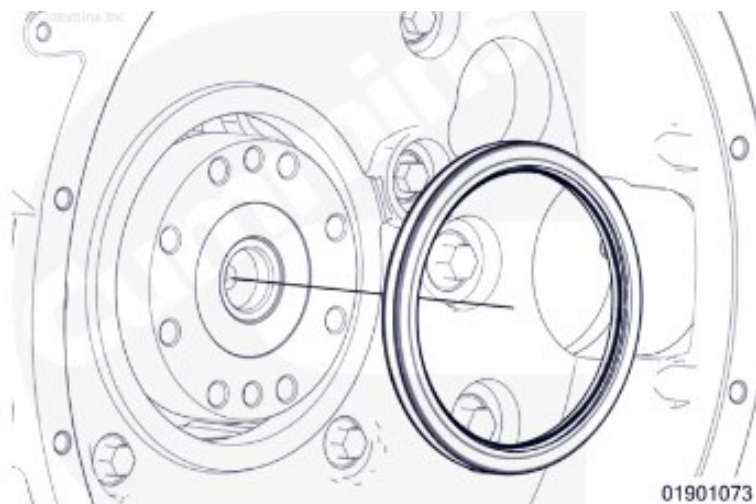


Rear Crankshaft Seal Installation Kit, Part Number 5395259			
Item Number	Part Number	Description	Quantity
1	3163741	Nut, Regular Hexagon	4
2	5395257	Pin, Guide	4
3	5395258	Installer, Crankshaft	1

1) Place the new rear crankshaft seal, with tapered end of the seal pilot, over the crankshaft nose and slide it by hand toward the flywheel housing.

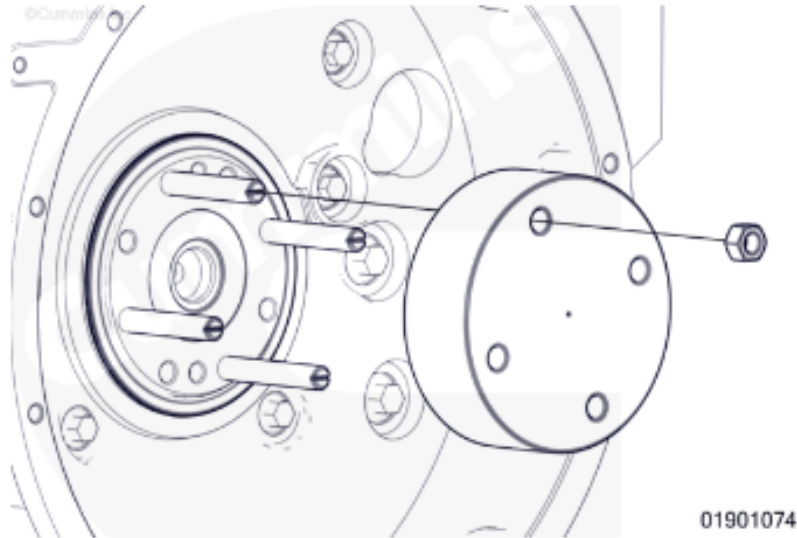
Note : Make sure the seal is positioned square with the crankshaft.

Remove the seal pilot.



2) Install the rear crankshaft seal using rear crankshaft seal installation kit, part number 5395259.

Install guide pins toward the end of the crankshaft with the slotted side facing away from the engine.



3) Slide the crankshaft seal installer over the guide pins until it is touching the rear crankshaft seal.

Install the hex nuts onto the guide pins until the hex nuts bottom out on the crankshaft seal installer.

Use a deep well socket and tighten the hex nuts in a crisscross pattern until the crankshaft seal installer bottoms out on the crankshaft. Tighten all four nuts to the specification below to verify the crankshaft seal installer bottoms out with the crankshaft.

**Torque Value:** 10 to 12 n•m [ 89 to 106 in-lb ]

**Note :** The rear crankshaft seal installs deeper using the crankshaft seal installation kit compared to disposable service kits.

