

# TECHNICAL SERVICE BULLETIN

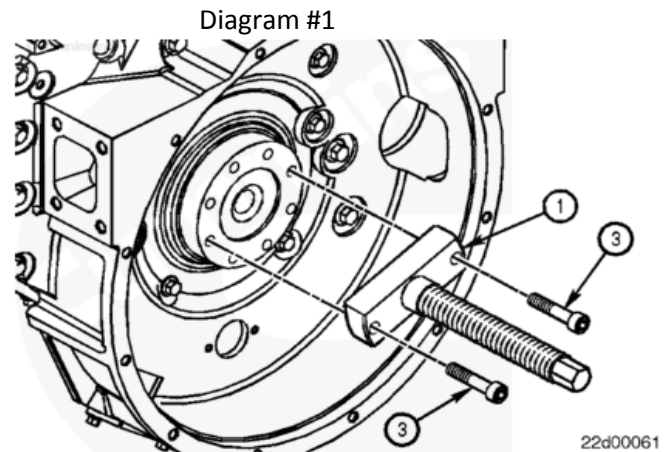
**BLACKWATER**  
E N G I N E S

|        |            |            |                              |
|--------|------------|------------|------------------------------|
| TSB #: | CRGT0318   | ENGINE:    | Cummins 5.9L Rear Gear Train |
| DATE:  | 06/12/2019 | ISSUED BY: | BWE SERVICE                  |

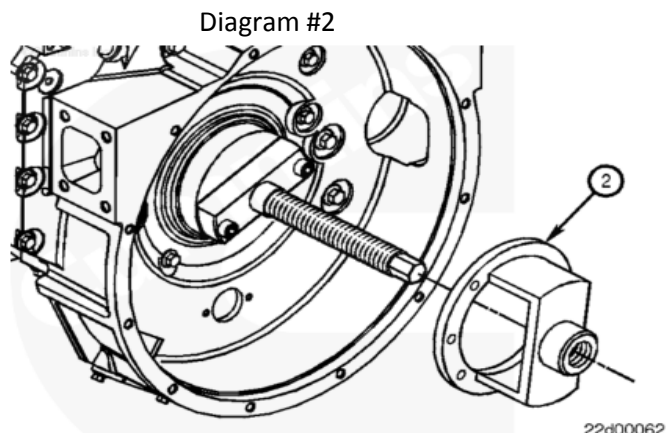
## 5.9L Cummins Rear Geartrain Rear Main Seal Installation Bulletin

Note: For 5.9L Rear Geartrain engines, the use of rear crankshaft seal installation kit, part number 4890833, is required.

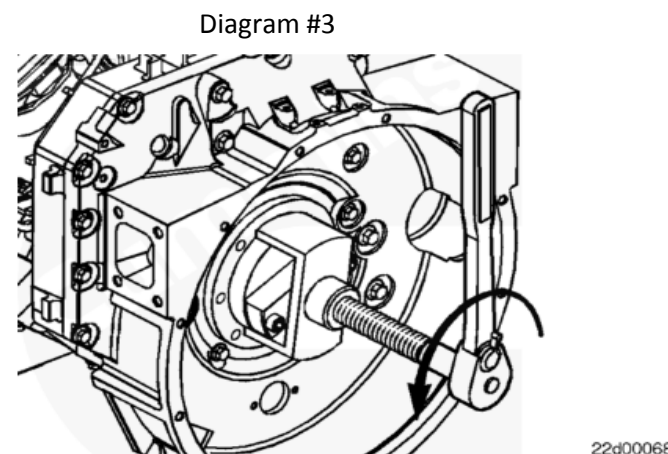
1) Attach the portion of the Cummins tool #3164660 to the rear of the crankshaft as see in in Diagram 1.



2) Thread the installation tool onto the threaded shaft as seen in Diagram 2.



3) Hold the installation tool while turning the threaded shaft counterclockwise until the tool contacts the flywheel housing. (Refer to your Cummins installation manual)



Note: This seal kit has a built-in wear sleeve and a concealed sealing lip. The inner and outer diameters are press fit onto the crankshaft and flywheel housing respectively.